

April 12, 2019

Addendum # 1

RFQ 1050

Lifting Bulls Creek Eastbound Structure

The following correction shall be considered as Addendum # 1 to this contract. The intent of this addendum is to clarify the required traffic control and the bearing pad restraint design.

Request for Quote
Detailed Description of "Goods/Services Delivery Requirement" and/or scope of work.
ADD:

The contractor shall restrict traffic to the driving lane side according to Figure 8-7 in WATCM and reduce speeds to 70 Km/h during this work.

Bulls Creek EB Jacking Procedure
REPLACE:

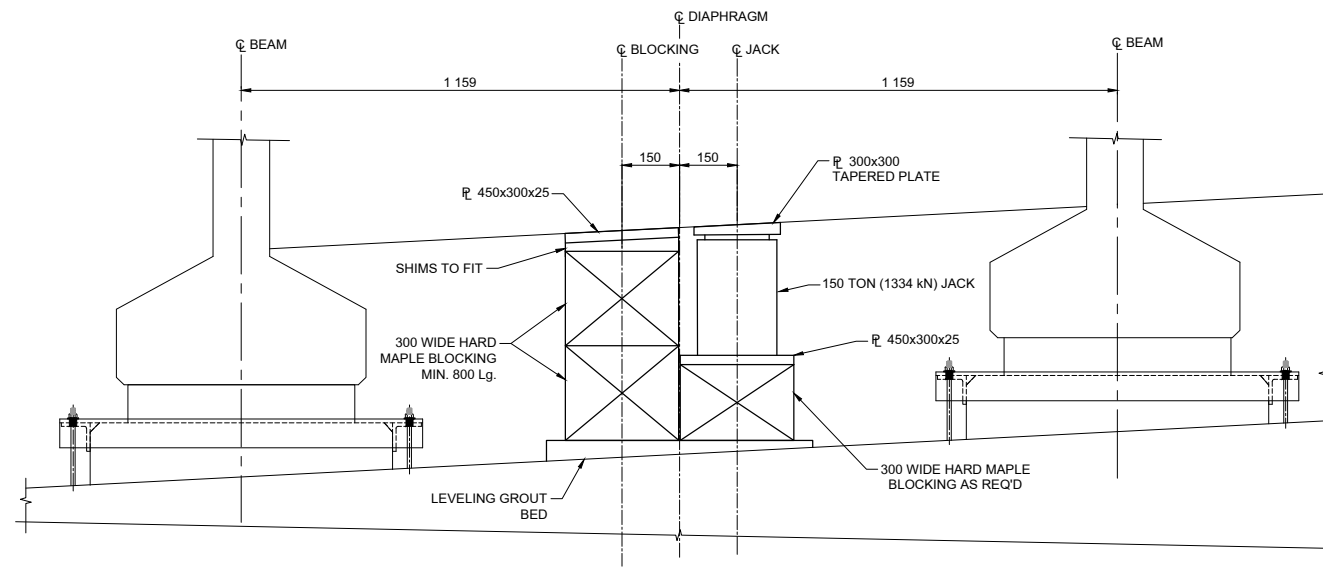
Drawing 02 of 02 Jacking Procedure

We have received the ADDENDUM # 1 as outlined above:

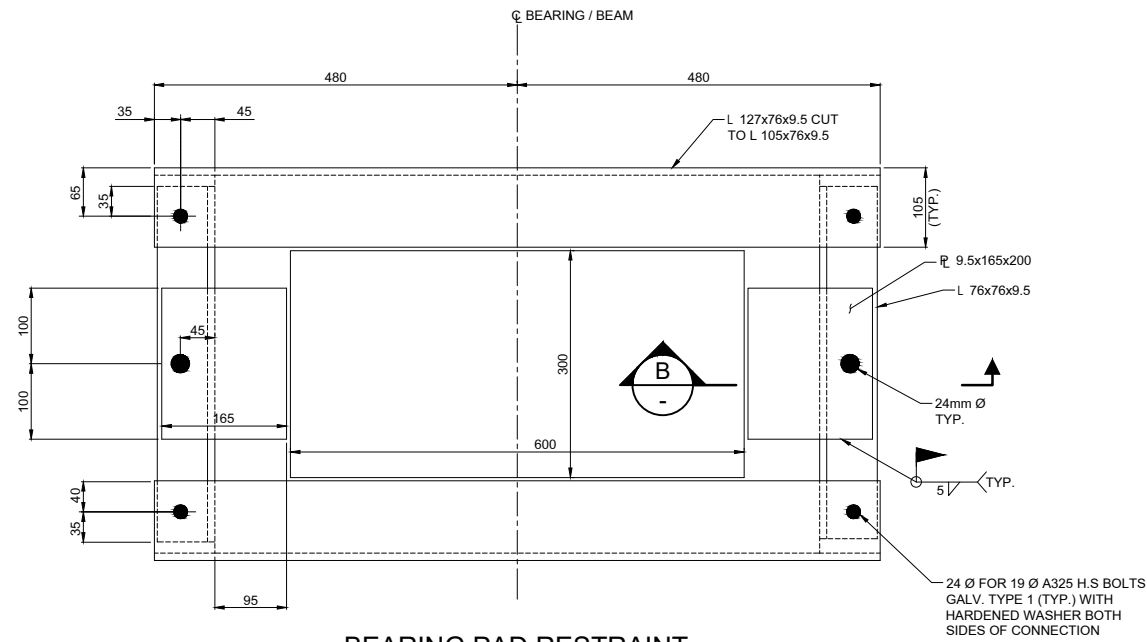
Name of Company

Authorized Signature

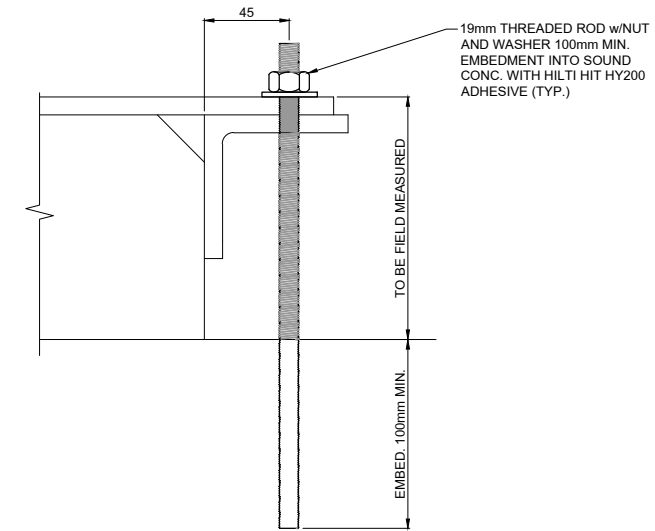
Stephanie Clayton, P.Eng
Project Manager
Brun-Way Highways Operations Inc.



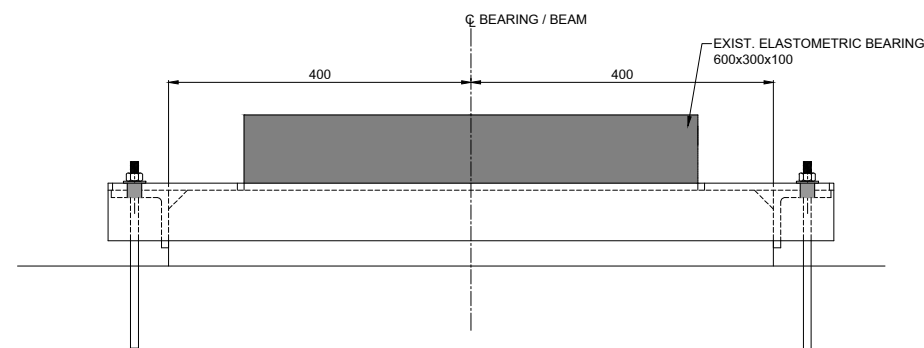
JACKING DETAILS
SCALE 1 : 10



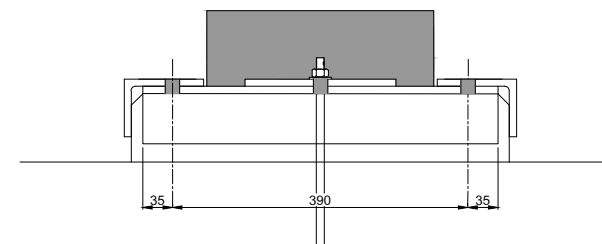
BEARING PAD RESTRAINT
SCALE 1 : 5



SECTION B
1 : 2



FRONT ELEVATION
SCALE 1 : 5



SIDE ELEVATION
SCALE 1 : 5

NOTES :

- SEE DRAWING 01 FOR GENERAL NOTES
- ALL STEEL FOR BEARING RETAINING DEVICE TO BE HOT DIPPED GALVANIZED TO CSA G164 TO A MIN. THICKNESS OF 610 g/m² FOLLOWING FABRICATION.
- ALL PRODUCTS SHALL BE USED IN STRICT ACCORDANCE WITH MANUFACTURERS INSTRUCTIONS.

REVISION DESCRIPTION	DATE
MODIFY FOR CLARITY	04-12-2019
ASSORTED CHANGES	03-19-2019



HILCON LIMITED
420 York Street
Fredericton, NB E3B 3P7
Tel: (506) 454-4455
Fax: (506) 454-7433

Engineers Stamp:

Project Title:
BULLS CREEK BRIDGE EAST BOUND

Drawing Title:
JACKING PROCEDURE

Drawn By: D. HICKS	Checked By: D. GILLETT	Scale: AS NOTED
Design By: D. GILLETT	Checked By: E. ALLARD	Date: 03-18-19
Job No.: 19002-0001	Drawing No.: 02 of 02	Rev.: 2